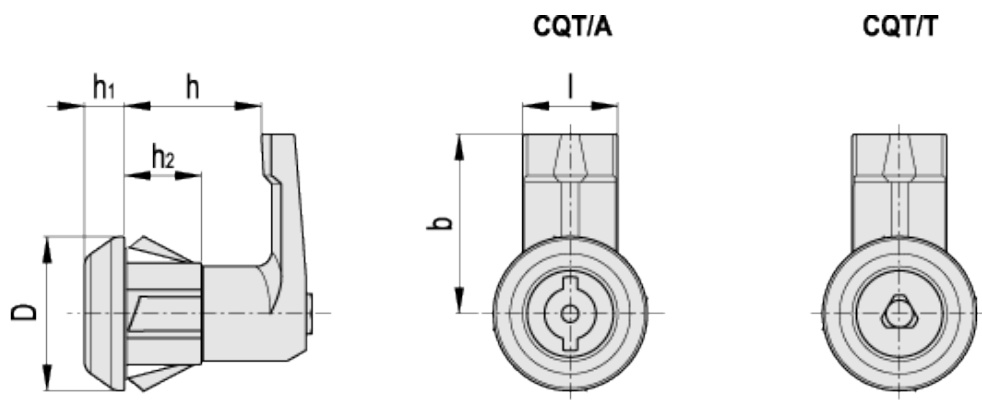


CQT.FM

Quick-assembly latches
with recessed key



technical informations

Material

- CQT.FM-AE-VO: glass-fibre reinforced polyamide-based technopolymer (PA), colour black, certified self-extinguishing UL-94 VO.
- CQT.FM-CR: glass-fibre reinforced polyamide-based technopolymer (PA), chrome-plated, glossy finish. Lever not chrome-plated.

Packing ring

Silicone directly applied onto the back side of the stator head.

Washer with elastic fixing wings and self-tapping screws

Stainless steel.

Key

Polyamide based (PA) technopolymer.

Rotation

90°.

IP protection

IP 65 protection class, according to [IEC 529 table](#).

Standard executions

- CQT/A: mark for two-wings key.
- CQT/T: mark for triangular key.

Maximum continuous working temperature

CQT.FM-AE-VO = 130°C.
CQT.FM-CR. = 80°C.

Disassembly tool (to be ordered separately)

Code 421550 ATTREZZO CQT.FM. in AISI 304 stainless steel.

Special executions on request

- Closing levers in zinc-plated steel.
- Latches and keys supplied separately.

Features and applications

With steel plate thickness ranging from 1 to 2 mm quick-assembly latches with recessed key CQT.FM (patented) allow for faster mounting on doors.

Assembly instructions

The latch is inserted in the mounting hole of the door on the lever side (see picture) until the wings of the elastic washer snap in, ensuring complete fastening.

The latches are supplied with assembled lever for faster mounting.

Where needed, the latch can be disassembled from the inside of the door by means of a disassembling tool (to be ordered separately).

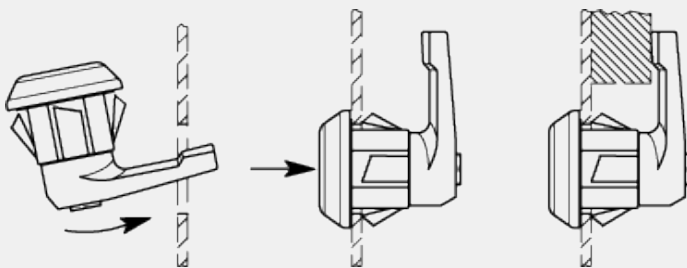
Technical data

With its refined look, the chrome-plated CQT.FM-CR execution is particularly suitable for use in situations where frequent cleaning cycles are needed for hygienic reasons, also with the use of water sprays or steam.

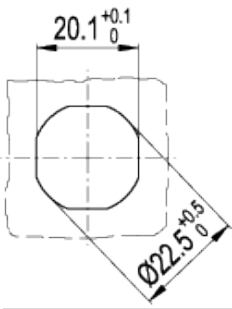
The chrome-plated surface is resistant to wear, scrapes and shocks.

Laboratory tests carried out at ambient temperature (23°C) proved the resistance of the latch surface to: detergents, acetone, ethyl alcohol, formic acid, chlorine solutions.

The "V0" certification in accordance with UL-94 V (Underwriters Laboratories) (see [Technical Data](#)) indicates that on a plastic test sample with specific shape and dimensions, in the vertical position, the flame is extinguished within 10 seconds, without generating incandescent drops.



Drilling template



Standard Elements				Main dimensions						Weight
Code	Description	Code	Description	b	h	D	h ₁	h ₂	l	g
421530	CQT/A-FM-35-18-AE-V0	421540	CQT/A-FM-35-18-CR	35	18	30	8	15	18.5	19
421531	CQT/A-FM-35-20-AE-V0	421541	CQT/A-FM-35-20-CR	35	20	30	8	15	18.5	20
421532	CQT/A-FM-35-22-AE-V0	421542	CQT/A-FM-35-22-CR	35	22	30	8	15	18.5	21
421533	CQT/A-FM-35-25-AE-V0	421543	CQT/A-FM-35-25-CR	35	25	30	8	15	18.5	22
421534	CQT/A-FM-35-30-AE-V0	421544	CQT/A-FM-35-30-CR	35	30	30	8	15	18.5	24
421535	CQT/T-FM-35-18-AE-V0	421545	CQT/T-FM-35-18-CR	35	18	30	8	15	18.5	19
421536	CQT/T-FM-35-20-AE-V0	421546	CQT/T-FM-35-20-CR	35	20	30	8	15	18.5	20
421537	CQT/T-FM-35-22-AE-V0	421547	CQT/T-FM-35-22-CR	35	22	30	8	15	18.5	21
421538	CQT/T-FM-35-25-AE-V0	421548	CQT/T-FM-35-25-CR	35	25	30	8	15	18.5	22
421539	CQT/T-FM-35-30-AE-V0	421549	CQT/T-FM-35-30-CR	35	30	30	8	15	18.5	24



ELESA and GANTER models all rights reserved in accordance with the law. Always mention the source when reproducing our drawings.

STANDARD MACHINE ELEMENTS WORLDWIDE